



YLI ELECTRONIC

Push Button For The Disable (Stainless steel)

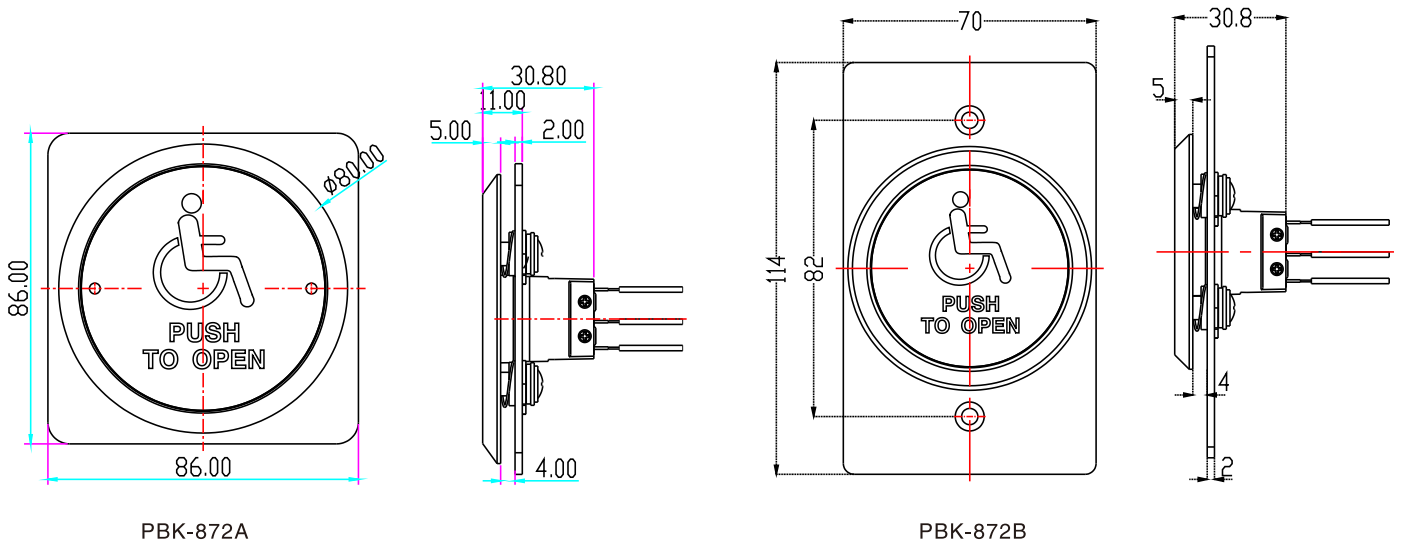
Model: PBK-872A/B



Specification

- Size: 86Lx86xW30.8(mm) (PBK-872A)
114Lx70xW30.8(mm) (PBK-872B)
- Standard Structure: Stainless steel
- Current Rating: 30VDC 1A
- Output Contact: NO(Green),NC(Yellow),COM(White)
- Operating temp: $-20^{\circ}\text{C}\sim+60^{\circ}\text{C}$
- Operating Humidity:0~95%RH
- Panel Material: 304 stainless steel panel with wire drawing finish
- Weight: 0.2kg

Dimensional Drawing



PBK-872A

PBK-872B

Installation & Wiring Diagram

